



LCD Module Technical Specification

First Edition
Jun 21, 2001

Final Revision

Type No. **F-51430NFU-FW-AA**

Approved by (Production Div.)

Checked by (Quality Assurance Div.)

Checked by (Design Engineering Div.)

Prepared by (Production Div.)

Table of Contents

1. General Specifications	2
2. Electrical Specifications	3
3. Optical Specifications	9
4. I/O Terminal	11
5. Test	14
6. Appearance Standards	15
7. Code System of Production Lot	18
8. Type Number	18
9. Applying Precautions	18
10. Precautions Relating Product Handling	19
11. Warranty	20

Revision History

Rev.	Date	Page	Comment

PRELIMINARY

1. General Specifications

Operating Temp.	:	min. 0°C ~max. 50°C
Storage Temp.	:	min. -20°C ~max. 60°C
Dot Pixels	:	640 (W) × 480 (H) dots
Dot Size	:	0.27 (W) × 0.27 (H) mm
Dot Pitch	:	0.30 (W) × 0.30 (H) mm
Viewing Area	:	196.0 (W) × 148.0 (H) mm
Outline Dimensions	:	260.0* (W) × 174.0 (H) × 8.5 max. (D) mm * Without CFL Cable
Weight	:	410g max.
LCD Type	:	NTD-21140 (F-STN / Black&White-mode / Transmissive)
Viewing Angle	:	12:00
Data Transfer	:	4-bit parallel data transfer × 2
Backlight	:	Cold Cathode Fluorescent Lamp (CFL) × 1
Drawings	:	Dimensional Outline UE-210259-00

PRELIMINARY

2. Electrical Specifications

2.1. Absolute Maximum Ratings

V_{SS}=0V

Parameter	Symbol	Conditions	Min.	Max.	Units
Supply Voltage (Logic)	V _{CC} -V _{SS}	-	-0.3	7.0	V
Supply Voltage (LCD Drive)	V _{HH} -V _{SS}	-	-0.3	30.0	V
Input Voltage	V _I	-	-0.3	V _{CC} +0.3	V

2.2. DC Characteristics

T_a=25°C, V_{SS}=0V

Parameter	Symbol	Conditions	Min.	Typ.	Max.	Units
Supply Voltage (Logic)	V _{CC} -V _{SS}	-	2.5	-	5.5	V
Supply Voltage (LCD Drive)	V _{HH} -V _{SS}	Shown in 3.1				V
High Level Input Voltage	V _{IH}	V _{CC} =2.5~5.5V	0.8×V _{CC}	-	V _{CC}	V
Low Level Input Voltage	V _{IL}	V _{CC} =2.5~5.5V	0	-	0.2×V _{CC}	V
Supply Current	I _{CC}	V _{CC} -V _{SS} =5.0V	-	14.0	25.0	mA
	I _{HH}	V _{HH} -V _{SS} =21.6V	-	9.0	20.0	mA

PRELIMINARY

2.3.AC Characteristics

V_{CC}=2.5~4.5V

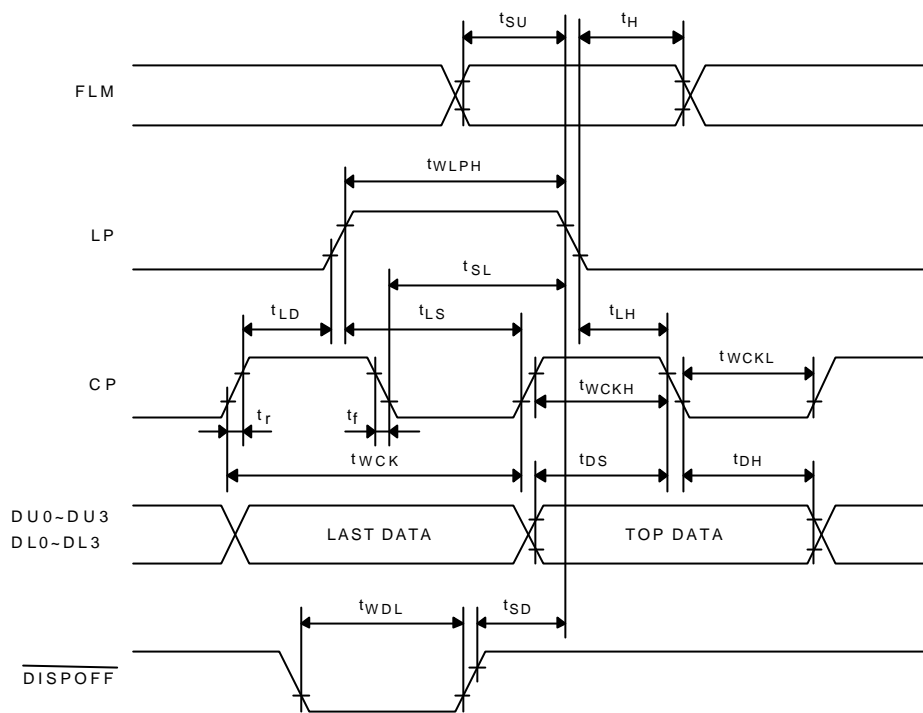
Parameter	Symbol	Min.	Max.	Units
Shift Clock Period	t _{WCK}	125	-	ns
Shift Clock "H" Pulse Width	t _{WCKH}	51	-	ns
Shift Clock "L" Pulse Width	t _{WCKL}	51	-	ns
Data Setup Time	t _{DS}	30	-	ns
Data Hold Time	t _{DH}	40	-	ns
Latch Pulse "H" Pulse Width	t _{WLPH}	51	-	ns
Shift Clock Rise to Latch Pulse Rise	t _{LD}	0	-	ns
Shift Clock Fall to Latch Pulse Fall	t _{SL}	51	-	ns
Latch Pulse Rise to Shift Clock Rise	t _{LS}	51	-	ns
Latch Pulse Fall to Shift Clock Rise	t _{LH}	51	-	ns
Input Signal Rise,Fall Time	t _r , t _f	-	50 Note.1	ns
Data Setup Time	t _{SU}	30	-	ns
Data Hold Time	t _H	50	-	ns
$\overline{\text{DISPOFF}}$ Removal Time	t _{SD}	100	-	ns
$\overline{\text{DISPOFF}}$ Enable Pulse Width	t _{WDL}	1.2	-	μs

V_{CC}=4.5~5.5V

Parameter	Symbol	Min.	Max.	Units
Shift Clock Period	t _{WCK}	71	-	ns
Shift Clock "H" Pulse Width	t _{WCKH}	23	-	ns
Shift Clock "L" Pulse Width	t _{WCKL}	23	-	ns
Data Setup Time	t _{DS}	10	-	ns
Data Hold Time	t _{DH}	20	-	ns
Latch Pulse "H" Pulse Width	t _{WLPH}	23	-	ns
Shift Clock Rise to Latch Pulse Rise	t _{LD}	0	-	ns
Shift Clock Fall to Latch Pulse Fall	t _{SL}	25	-	ns
Latch Pulse Rise to Shift Clock Rise	t _{LS}	25	-	ns
Latch Pulse Fall to Shift Clock Rise	t _{LH}	25	-	ns
Input Signal Rise,Fall Time	t _r , t _f	-	50 Note.1	ns
Data Setup Time	t _{SU}	30	-	ns
Data Hold Time	t _H	50	-	ns
$\overline{\text{DISPOFF}}$ Reoval Time	t _{SD}	100	-	ns
$\overline{\text{DISPOFF}}$ Enable Pulse Width	t _{WDL}	1.2	-	μs

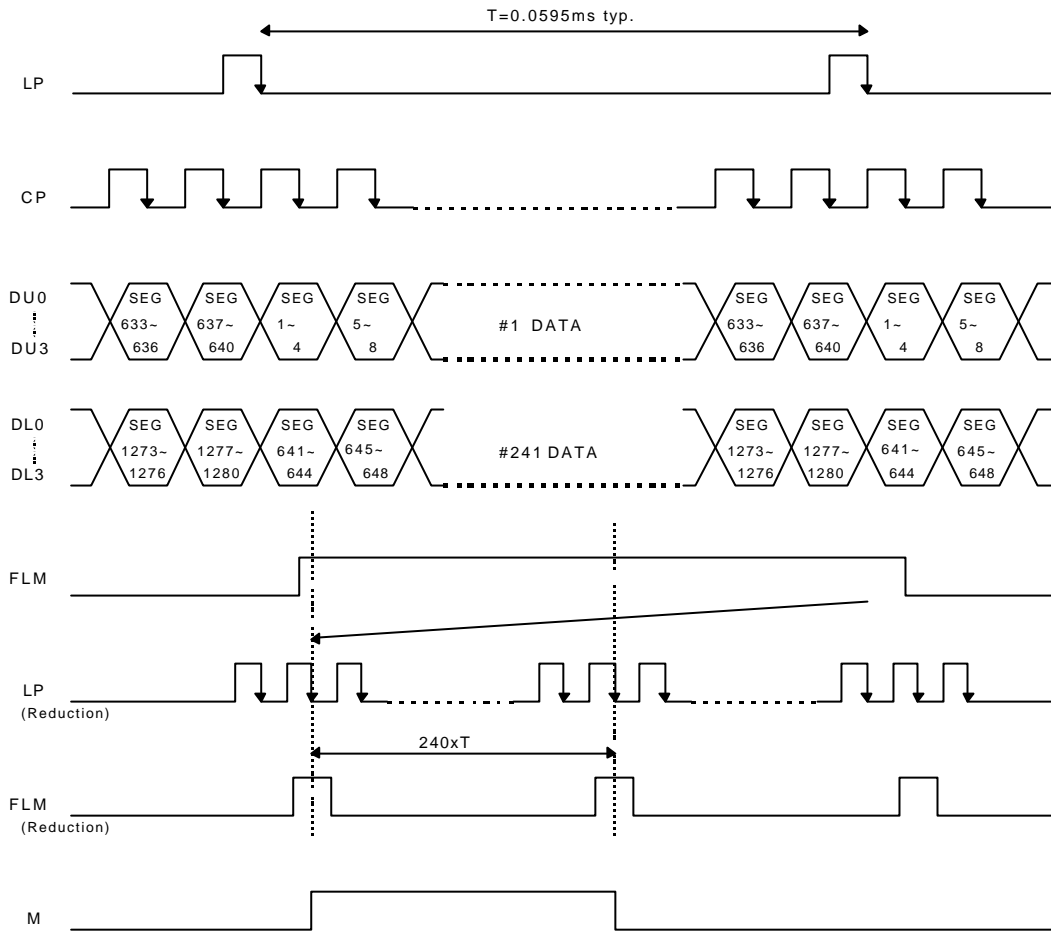
Note.1 : (t_{CK} - t_{wckH} - t_{wckL})/2 is the maximum in case of high speed operation.

PRELIMINARY

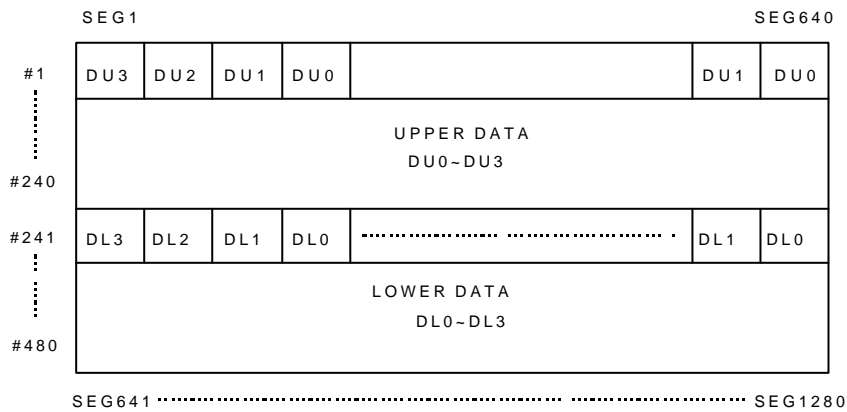


PRELIMINARY

2.4. Timing Chart



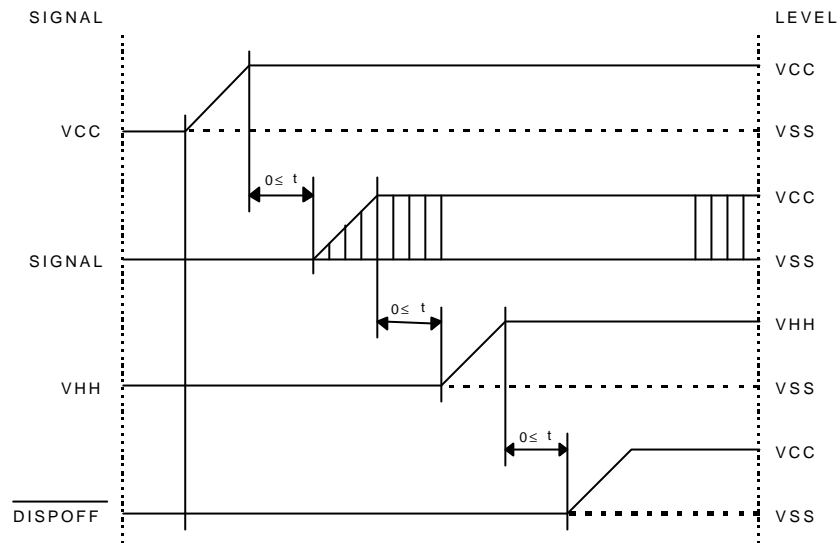
2.5. Comparison of Display and Data



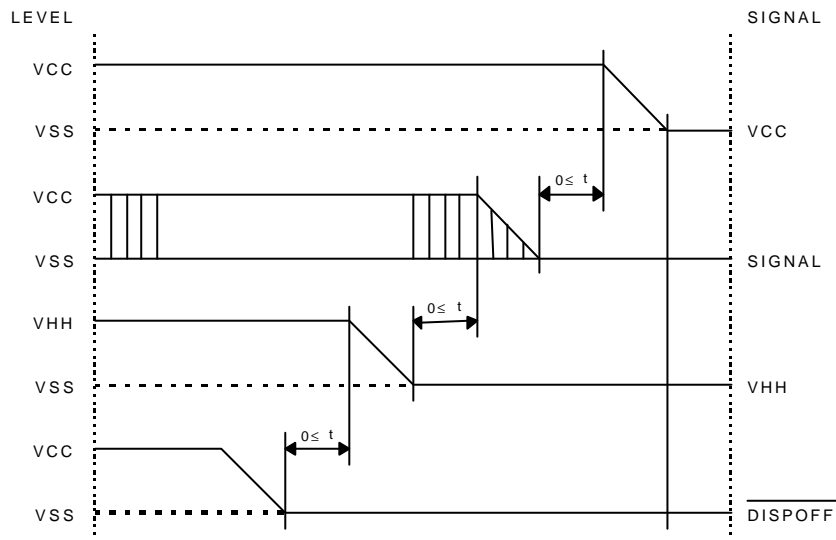
PRELIMINARY

2.6. Power Supply ON/OFF Sequence

2.6.1. ON Sequence



2.6.2. OFF Sequence



Please maintain the above sequence when turning on and off the power supply of the module.

If $\overline{\text{DISPOFF}}$ is supplied to the module while internal alternate signal for LCD driving (M) is unstable, DC component will be supplied to the LCD panel.

This may cause damage the LCD module.

PRELIMINARY

2.7. Lighting Specifications

Ta=25°C

Parameter	Symbol	Conditions	Min.	Typ.	Max.	Units	Note
Lamp Voltage	V _L	-	-	340	-	V _{rms}	1
Lamp Current	I _L	-	5.5	6.0	6.5	mA _{rms}	2
Starting Voltage	V _s	-	855	-	-	V _{rms}	3
Surface	L	I _L =6.0mA	90	110	-	cd/m ²	4
Average Life	T _{AL}	I _L =6.0mA	-	10000	-	hrs	5

Note 1 :The voltage (r.m.s.) to maintain the electric discharge of the lamp. It is measured after lighting for 3 minutes .

Note 2 :The current (r.m.s.) to flow through the lamp with the electric discharge. It is measured after lighting for 3 minutes.

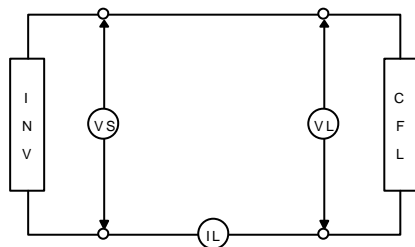
Note 3 :The voltage at starting the electric discharge when the voltage is increased gradually from 0V.

Note 4 :Surface Luminance is specified by the average of 9 luminance values measured at each point shown above after 20 minutes power on with the all ON pattern adjusted to maximum contrast and the dimming control of 100%. (maximum brightness)

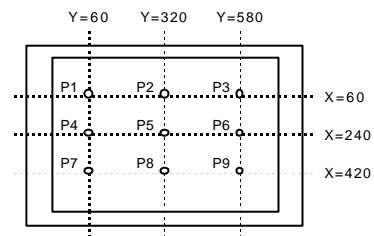
Note 5 : CFL Life is defined as time period that the actual luminance becomes 50% or lower of its initial value.

The Average life time of CFL is defined as the time when half or more of the testing CFLs

have become less bright than 50% of the initial brightness at continuous operation.



CFL Testing Circuit



Measurement Points

Recommended Inverter : S-12565 (Produced by ELEVAM) CXA-M10A (DC 5.0V,
Produced by TDK)
CXA-M10L (DC 12.0V, Produced by TDK)

PRELIMINARY

3. Optical Specifications

3.1. LCD Driving Voltage

Parameter	Symbol	Conditions	Min.	Typ.	Max.	Units
Recommended LCD Driving Voltage Note 1	$V_{HH}-V_{SS}$	$T_a = 0^\circ\text{C}$	-	-	25.0	V
		$T_a = 25^\circ\text{C}$	20.1	21.6	23.1	V
		$T_a = 50^\circ\text{C}$	18.4	-	-	V

Note 1 : Voltage (Applied actual waveform to LCD Module) for the best contrast. The range of minimum and maximum shows tolerance of the operating voltage. The specified contrast ratio and response time are not guaranteed over the entire range.

3.2. Optical Characteristics

$T_a = 25^\circ\text{C}$, 1/240 Duty, 1/12 Bias, $V_{OD} = 21.6\text{V}$ (Note 4), $\theta = 0^\circ\text{C}$, $\phi = -^\circ$

Parameter	Symbol	Conditions	Min.	Typ.	Max.	Units
Contrast Ratio Note	CR	$\theta = 0^\circ\text{C}$, $\phi = -^\circ$	-	14	-	
Viewing Angle		Shown in 3.3				
Response Time	Rise Note 2	T_{ON}	-	210	320	ms
	Decay Note	T_{OFF}	-	120	180	ms

Note 1 : Contrast ratio is defined as follows.

$$CR = L_{ON} / L_{OFF}$$

L_{ON} : Luminance of the ON segments

L_{OFF} : Luminance of the OFF segments

Note 2 : The time that the luminance level reaches 90% of the saturation level from 0% when ON signal is applied.

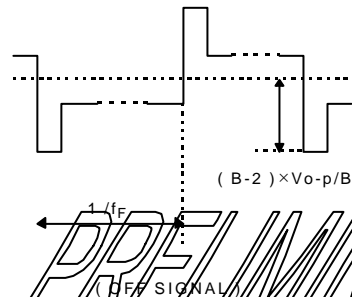
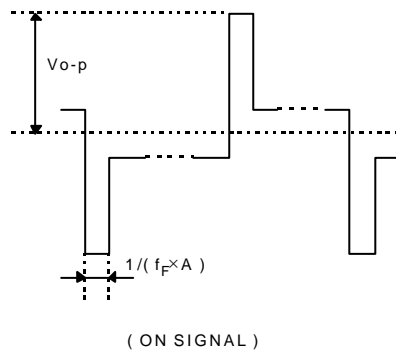
Note 3 : The time that the luminance level reaches 10% of the saturation level from 100% when OFF signal is applied.

Note 4 : Definition of Driving Voltage V_{OD}

$$V_{OD} = V_{CC} - V_{ADJ} - V_{BE}$$

Assuming that the typical driving waveforms shown below are applied to the LCD Panel at 1/A Duty - 1/B Bias (A: Duty Number, B: Bias Number).

Driving voltage V_{OD} is defined as the voltage V_{O-P} when the contrast ratio ($CR = L_{ON} / L_{OFF}$) is at its maximum.

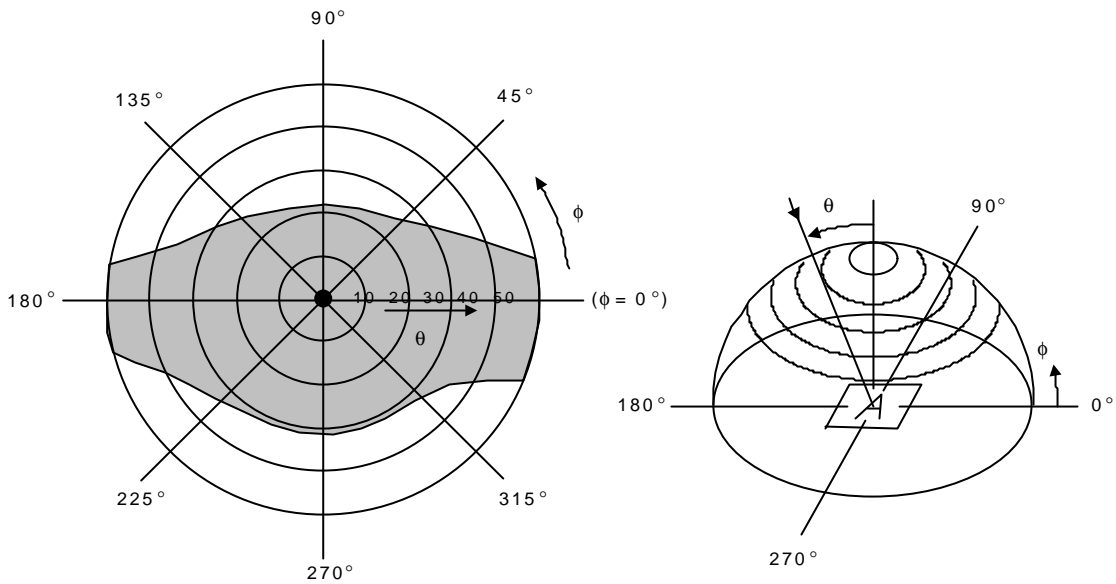



PRELIMINARY

3.3. Definition of Viewing Angle and Optimum Viewing Area

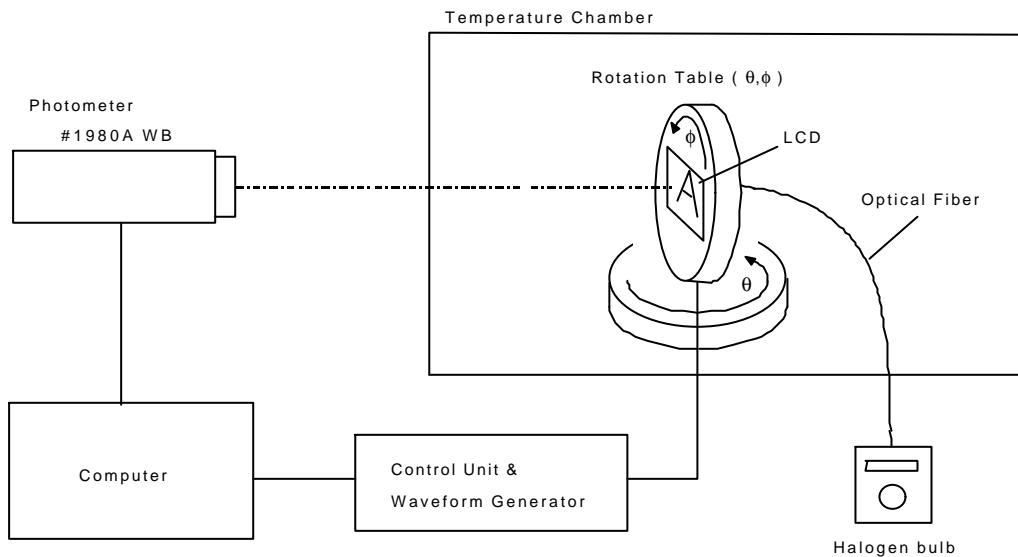
*Point ● shows the point where contrast ratio is measured. : $\theta = 0^\circ$, $\phi = 0^\circ$

*Driving condition: 1/240 Duty, 1/12 Bias, $V_{od}=21.6V$, $f_f=70.0Hz$



*Area  shows typ. $CR \geq 2$

3.4. System Block Diagram



PRELIMINARY

4. I/O Terminal

4.1. Pin Assignment

CN1

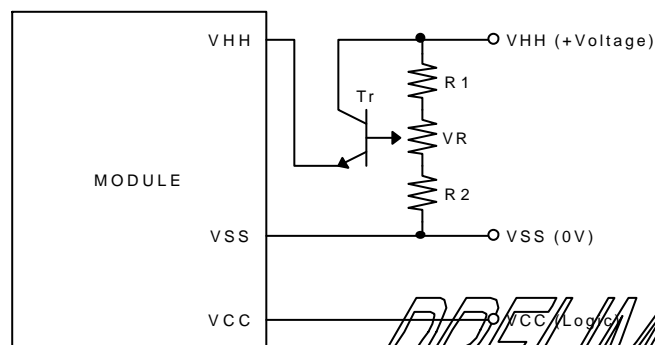
No.	Symbol	Level	Function
1	FLM	H / L	First Line Marker
2	LP	H / L	Data Latch Signal
3	CP	H / L	Clock Signal for Shifting Data
4	$\overline{\text{DISPOFF}}$	H / L	Display Control Signal H : Display on L : Display off
5	V _{CC}	-	Power Supply for Logic
6	V _{SS}	-	Power Supply (0V, GND)
7	V _{HH}	-	Power Supply for LCD Drive (+ Voltage)
8	DU0	H / L	Display Upper Data
9	DU1	H / L	Display Upper Data
10	DU2	H / L	Display Upper Data
11	DU3	H / L	Display Upper Data
12	DL0	H / L	Display Lower Data
13	DL1	H / L	Display Lower Data
14	DL2	H / L	Display Lower Data
15	DL3	H / L	Display Lower Data

CN2

No.	Symbol	Level	Function
5	CFL OUT1(HOT)	-	Power Supply for CFL (HOT)
6	NC	-	Non-connection
7	NC	-	Non-connection
8	CFL	-	Power Supply for CFL (GND)

4.2. Example of Power Supply

It is recommended to apply a potentiometer for the contrast adjust due to the tolerance of the driving voltage and its temperature dependence.

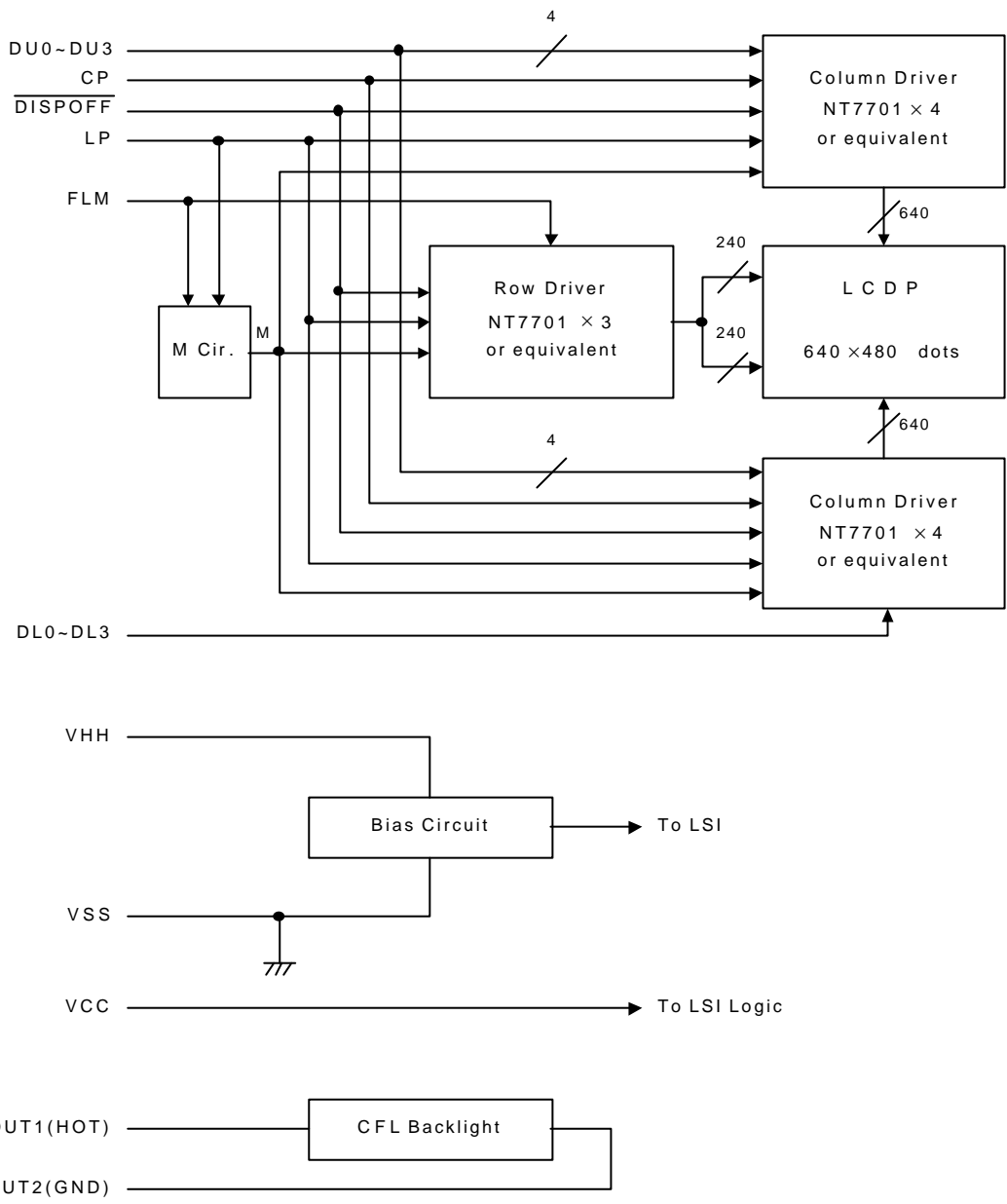


$$R1+R2+VR=10\sim 20k\Omega$$

PRELIMINARY

PRELIMINARY

4.3. Block Diagram



PRELIMINARY

5.Test

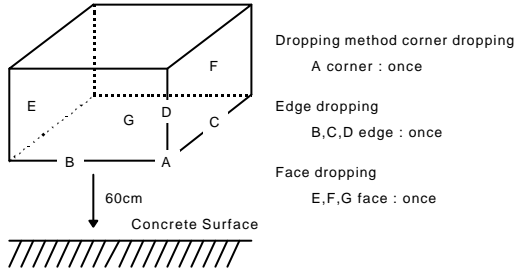
No change on display and in operation under the following test condition.

Conditions: Unless otherwise specified, tests will be conducted under the following condition.

Temperature: $20 \pm 5^{\circ}\text{C}$

Humidity : $65 \pm 5\% \text{RH}$

tests will be not conducted under functioning state.

No.	Parameter	Conditions	Notes
1	High Temperature	$50^{\circ}\text{C} \pm 2^{\circ}\text{C}$, 96hrs (operation state)	
2	Low Temperature	$0^{\circ}\text{C} \pm 2^{\circ}\text{C}$, 96hrs (operation state)	1
3	High Temperature Storage	$60^{\circ}\text{C} \pm 2^{\circ}\text{C}$, 96hrs	2
4	Low Temperature Storage	$-20^{\circ}\text{C} \pm 2^{\circ}\text{C}$, 96hrs	1,2
5	Damp Proof Test	$40^{\circ}\text{C} \pm 2^{\circ}\text{C}$, 90~95%RH, 96hrs	1,2
6	Vibration Test	Total fixed amplitude : 1.5mm Vibration Frequency : 10~55Hz One cycle 60 seconds to 3 directions of X, each 15 minutes	3
7	Shock Test	To be measured after dropping from 60cm the concrete surface in packing state. 	

Note 1 : No dew condensation to be observed.

Note 2 : The function test shall be conducted after 4 hours storage at the normal Temperature and humidity after removed from the test chamber.

Note 3 : Vibration test will be conducted to the product itself without putting it in a container.

PRELIMINARY

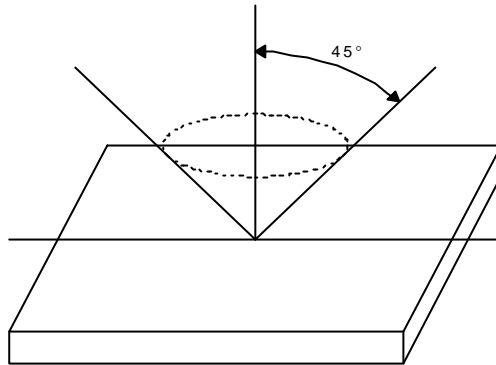
6.Appearance Standards

6.1.Inspection conditions

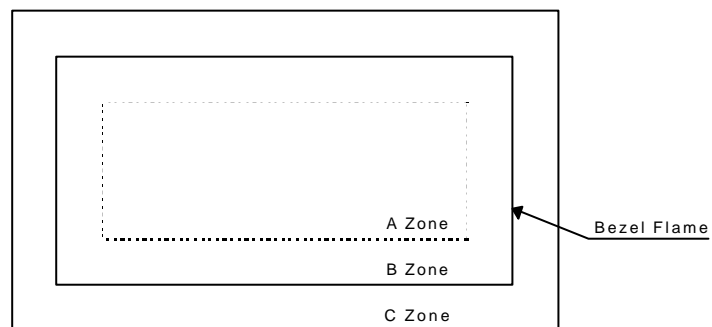
The LCD shall be inspected under 40W white fluorescent light.

The distance between the eyes and the sample shall be more than 30cm.

All directions for inspecting the sample should be within 45° against perpendicular line.



6.2.Definition of applicable Zones



A Zone : Active display area

B Zone : Area from outside of "A Zone" to validity viewing area

C Zone : Rest parts

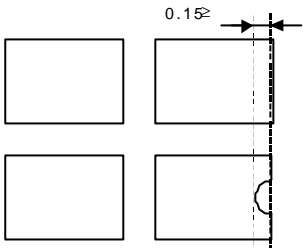
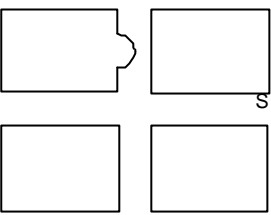
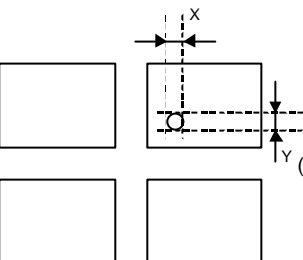
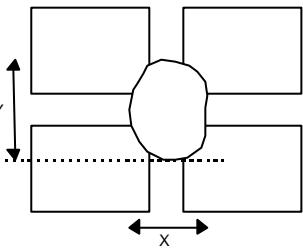
A Zone + B Zone = Validity viewing area

PRELIMINARY

6.3.Standards

No.	Parameter	Criteria																																																									
1	Black and White Spots, Foreign	<p>(1) Round Shape</p> <table border="1"> <thead> <tr> <th rowspan="2">Dimension (mm) \ Zone</th> <th colspan="3">Acceptable Number</th> </tr> <tr> <th>A</th> <th>B</th> <th>C</th> </tr> </thead> <tbody> <tr> <td>$D \leq 0.1$</td> <td>*</td> <td>*</td> <td>*</td> </tr> <tr> <td>$0.1 < D \leq 0.2$</td> <td>3</td> <td>5</td> <td>*</td> </tr> <tr> <td>$0.2 < D \leq 0.3$</td> <td>2</td> <td>3</td> <td>*</td> </tr> <tr> <td>$0.3 < D \leq 0.35$</td> <td>0</td> <td>1</td> <td>*</td> </tr> <tr> <td>$0.35 < D$</td> <td>0</td> <td>0</td> <td>*</td> </tr> </tbody> </table> <p>$D = (\text{Long} + \text{Short}) / 2$ * : Disregard</p> <p>(2) Line Shape</p> <table border="1"> <thead> <tr> <th colspan="2">X (mm) \ Y (mm) \ Zone</th> <th colspan="3">Acceptable Number</th> </tr> <tr> <th colspan="2"></th> <th>A</th> <th>B</th> <th>C</th> </tr> </thead> <tbody> <tr> <td>-</td> <td>$0.03 \geq W$</td> <td>*</td> <td>*</td> <td>*</td> </tr> <tr> <td>$2.0 \geq L$</td> <td>$0.05 \geq W$</td> <td>4</td> <td>4</td> <td>*</td> </tr> <tr> <td>$1.0 \geq L$</td> <td>$0.1 \geq W$</td> <td>4</td> <td>4</td> <td>*</td> </tr> <tr> <td>-</td> <td>$0.1 < W$</td> <td colspan="3">In the same way (1)</td> </tr> </tbody> </table> <p>X : Length Y : Width * : Disregard</p> <p>Total defects shall not exceed 7.</p>	Dimension (mm) \ Zone	Acceptable Number			A	B	C	$D \leq 0.1$	*	*	*	$0.1 < D \leq 0.2$	3	5	*	$0.2 < D \leq 0.3$	2	3	*	$0.3 < D \leq 0.35$	0	1	*	$0.35 < D$	0	0	*	X (mm) \ Y (mm) \ Zone		Acceptable Number					A	B	C	-	$0.03 \geq W$	*	*	*	$2.0 \geq L$	$0.05 \geq W$	4	4	*	$1.0 \geq L$	$0.1 \geq W$	4	4	*	-	$0.1 < W$	In the same way (1)		
Dimension (mm) \ Zone	Acceptable Number																																																										
	A	B	C																																																								
$D \leq 0.1$	*	*	*																																																								
$0.1 < D \leq 0.2$	3	5	*																																																								
$0.2 < D \leq 0.3$	2	3	*																																																								
$0.3 < D \leq 0.35$	0	1	*																																																								
$0.35 < D$	0	0	*																																																								
X (mm) \ Y (mm) \ Zone		Acceptable Number																																																									
		A	B	C																																																							
-	$0.03 \geq W$	*	*	*																																																							
$2.0 \geq L$	$0.05 \geq W$	4	4	*																																																							
$1.0 \geq L$	$0.1 \geq W$	4	4	*																																																							
-	$0.1 < W$	In the same way (1)																																																									
2	Air Bubbles (between glass & polarizer)	<table border="1"> <thead> <tr> <th rowspan="2">Dimension (mm) \ Zone</th> <th colspan="3">Acceptable Number</th> </tr> <tr> <th>A</th> <th>B</th> <th>C</th> </tr> </thead> <tbody> <tr> <td>$D1, D2 \leq 0.3$</td> <td>*</td> <td>*</td> <td>*</td> </tr> <tr> <td>$0.3 < D1, D2 \leq 0.5$</td> <td>3</td> <td>*</td> <td>*</td> </tr> <tr> <td>$0.5 < D1 \leq 0.7$</td> <td>2</td> <td>3</td> <td>*</td> </tr> <tr> <td>$0.5 < D2 \leq 0.6$</td> <td>2</td> <td>3</td> <td>*</td> </tr> <tr> <td>$0.7 < D1, 0.6 < D2$</td> <td>0</td> <td>0</td> <td>*</td> </tr> </tbody> </table> <p>D1 : Small foam a gathering D2 : Single foam * :</p> <p>Total defects shall not exceed 5.</p>	Dimension (mm) \ Zone	Acceptable Number			A	B	C	$D1, D2 \leq 0.3$	*	*	*	$0.3 < D1, D2 \leq 0.5$	3	*	*	$0.5 < D1 \leq 0.7$	2	3	*	$0.5 < D2 \leq 0.6$	2	3	*	$0.7 < D1, 0.6 < D2$	0	0	*																														
Dimension (mm) \ Zone	Acceptable Number																																																										
	A	B	C																																																								
$D1, D2 \leq 0.3$	*	*	*																																																								
$0.3 < D1, D2 \leq 0.5$	3	*	*																																																								
$0.5 < D1 \leq 0.7$	2	3	*																																																								
$0.5 < D2 \leq 0.6$	2	3	*																																																								
$0.7 < D1, 0.6 < D2$	0	0	*																																																								

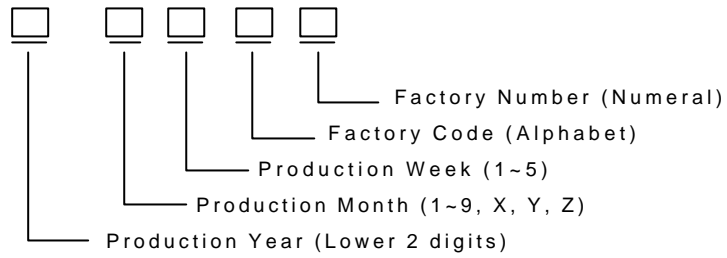
PRELIMINARY

No.	Parameter	Criteria
3	The Shape of Dot	<p>(1) Dot Shape (with Dent)</p>  <p>As per the sketch of left hand.</p> <p>(2) Dot Shape (with Projection)</p>  <p>Should not be connected to next dot.</p> <p>(3) Pin Hole</p>  <p>$(X+Y) / 2 \leq 0.2 \text{ mm}$ (Less than 0.1mm is no counted.)</p> <p>(4) Deformation</p>  <p>$(X+Y) / 2 \leq 0.2 \text{ mm}$</p> <p>Total acceptable number : 1/dot, 5/cell (Defect number of (4) : 1pc.)</p>
4	Polarizer	Not to be conspicuous defects.
5	Polarizer Dirts	If the stains are removed easily from LCDP surface, the defective.
6	Complex Foreign Substance	Black spots, line shaped foreign substances or air bubbles glass & polarizer should be 7pcs maximum in total.
7	Distance between Different Foreign Substance	$D \leq 0.2$: 20mm or more $0.2 < D$: 40mm or more

PRELIMINARY

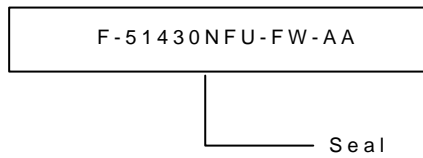
7.Code System of Production Lot

The production lot of module is specified as follows.



8.Type Number

The type number of module is specified on the back of module as follows.



9.Applying Precautions

Please contact us when questions and/or new problems not specified in this specifications arise.

PRELIMINARY

10. Precautions Relating Product Handling

The Following precautions will guide you in handling our product correctly.

- 1) Liquid crystal display devices
 1. The liquid crystal display device panel used in the liquid crystal display module is made of plate glass. Avoid any strong mechanical shock. Should the glass break handle it with care.
 2. The polarizer adhering to the surface of the LCD is made of a soft material. Guard against scratching it.
- 2) Care of the liquid crystal display module against static electricity discharge.
 1. When working with the module, be sure to ground your body and any electrical equipment you may be using. We strongly recommend the use of anti static mats (made of rubber), to protect work tables against the hazards of electrical shock.
 2. Avoid the use of work clothing made of synthetic fibers. We recommend cotton clothing or other conductivity-treated fibers.
 3. Slowly and carefully remove the protective film from the LCD module, since this operation can generate static electricity.
- 3) When the LCD module alone must be stored for long periods of time:
 1. Protect the modules from high temperature and humidity.
 2. Keep the modules out of direct sunlight or direct exposure to ultraviolet rays.
 3. Protect the modules from excessive external forces.
- 4) Use the module with a power supply that is equipped with an overcurrent protector circuit, since the module is not provided with this protective feature.
- 5) Do not ingest the LCD fluid itself should it leak out of a damaged LCD module. Should hands or clothing come in contact with LCD fluid, wash immediately with soap.
- 6) Conductivity is not guaranteed for models that use metal holders where solder connections between the metal holder and the PCB are not used. Please contact us to discuss appropriate ways to assure conductivity.
- 7) For models which use CFL:
 1. High voltage of 1000V or greater is applied to the CFL cable connector area. Care should be taken not to touch connection areas to avoid burns.
 2. Protect CFL cables from rubbing against the unit and thus causing the wire jacket to become worn.
 3. The use of CFLs for extended periods of time at low temperatures will significantly shorten their service life.
- 8) For models which use touch panels:
 1. Do not stack up modules since they can be damaged by components on neighboring modules.
 2. Do not place heavy objects on top of the product. This could cause glass breakage.
- 9) For models which use COG, TAB, or COF:
 1. The mechanical strength of the product is low since the IC chip faces out unprotected from the rear.
Be sure to protect the rear of the IC chip from external forces.
 2. Given the fact that the rear of the IC chip is left exposed in order to protect the unit from electrical damage, avoid installation configurations in which the rear of the IC chip runs the risk of making any electrical contact.

PRELIMINARY

10) Models which use flexible cable, heat seal, or TAB:

1. In order to maintain reliability, do not touch or hold by the connector area.
2. Avoid any bending, pulling, or other excessive force, which can result in broken connections.

11. Warranty

This product has been manufactured to your company's specifications as a part for use in your company's general electronic products. It is guaranteed to perform according to delivery specifications. For any other use apart from general electronic equipment, we cannot take responsibility if the product is used in medical devices, nuclear power control equipment, aerospace equipment, fire and security systems, or any other applications in which there is a direct risk to human life and where extremely high levels of reliability are required. If the product is to be used in any of the above applications, we will need to enter into a separate product liability agreement.

1. We cannot accept responsibility for any defect, which may arise from additional manufacturing of the product (including disassembly and reassembly), after product delivery.
2. We cannot accept responsibility for any defect, which may arise after the application of strong external force to the product.
3. We cannot accept responsibility for any defect, which may arise due to the application of static electricity after the product has passed your company's acceptance inspection procedures.
4. When the product is in CFL models, CFL service life and brightness will vary according to the performance of the inverter used, leaks, etc. We cannot accept responsibility for product performance, reliability, or defect, which may arise.
5. We cannot accept responsibility for intellectual property of a third party, which may arise through the application of our product to your assembly with exception to those issues relating directly to the structure or method of manufacturing of our product.
6. Optrex will not be held responsible for any quality guarantee issue for defect products judged as Optrex-origin longer than 2 (two) years from Optrex production or 1(one) year from Optrex, Optrex America, Optrex Europe, Display LC delivery which ever comes later.

PRELIMINARY