



**PROPRIETARY NOTE**

THIS SPECIFICATION IS THE PROPERTY OF HEI AND SHALL NOT BE REPRODUCED OR COPIED WITHOUT THE WRITTEN PERMISSION OF HEI AND MUST BE RETURNED TO HEI UPON ITS REQUEST.

**TITLE : HT15X11-200 Product Specification**

**Rev. A**

**LCD SBU**

**Hyundai Electronics Industries Co., Ltd.**

<b>SPEC. NUMBER</b>	<b>PRODUCT GROUP</b>	<b>REV.</b>	<b>ISSUE DATE</b>	<b>PAGE</b>
S864-1032	TFT-LCD PRODUCT	A	2000.11.13	1 OF 21



**PRODUCT GROUP**

**REV.**

**ISSUE DATE**

TFT-LCD PRODUCT

A

2000.11.13

**REVISION HISTORY**

REV.	ECN NO.	DESCRIPTION OF CHANGES	DATE	PREPARED
0		Initial Release	2000.06.08	YI . KIM
A	E001-F008	Update Specification and Format - Electrical Specifications (6p) - Optical Specifications (7p) - Signal Timing Specifications Form (11p) - Signal Timing Waveforms (12p) - Power Sequence (14p) - Reliability Test Condition (16p)	2000.11.13	YI . KIM
<b>SPEC. NUMBER</b> S864-1032		<b>SPEC. TITLE</b> HT15X11-200 Product Specification		<b>PAGE</b> 2 OF 21

**PRODUCT GROUP**

TFT-LCD PRODUCT

**REV.**

A

**ISSUE DATE**

2000.11.13

**Contents**

No.	Item	Page
1.0	GENERAL DESCRIPTION	4
2.0	ABSOLUTE MAXIMUM RATINGS	5
3.0	ELECTRICAL SPECIFICATIONS	6
4.0	OPTICAL SPECIFICATIONS	7
5.0	INTERFACE CONNECTION	9
6.0	SIGNAL TIMING SPECIFICATIONS	11
7.0	SIGNAL TIMING WAVEFORMS	12
8.0	INPUT SIGNALS, DISPLAY COLORS & GRAY SCALE OF COLORS	13
9.0	POWER SEQUENCE	14
10.0	MECHANICAL CHARACTERISTICS	15
11.0	RELIABILITY TEST	16
12.0	HANDLING & CAUTIONS	17
13.0	APPENDIX	18

**SPEC. NUMBER**

S864-1032

**SPEC. TITLE**

HT15X11-200 Product Specification

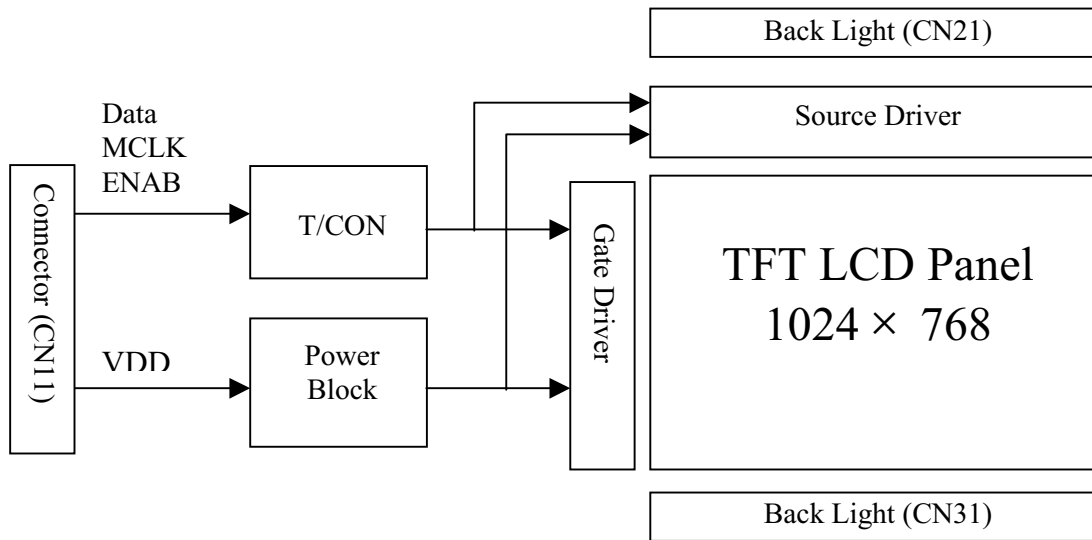
**PAGE**

3 OF 21

**1.0 GENERAL DESCRIPTION**

1.1 Introduction

HT15X11-200 is a color active matrix TFT LCD module using amorphous silicon TFT's (Thin Film Transistors) as an active switching devices. This module has a 15.0 inch diagonally measured active area with XGA resolutions (1024 horizontal by 768 vertical pixel array). Each pixel is divided into RED, GREEN, BLUE dots which are arranged in vertical stripe and this module can display 262,144 colors. The TFT-LCD panel used for this module is a low reflection and higher color type.



1.2 Features

- Desk-top type of PC Use
- Display terminals for control system
- Monitors for process controller
- TTL Interface with 2pixel / clock
- High speed response
- 64 Gray Scale (6 bits)
- Incorporated edge type back-light (Four lamps, Inverter optional)
- High luminance and Contrast ratio, Low reflection and wide viewing angle
- DE (Data Enable) Mode only

### 1.3 General Specifications

Parameter	Specification	Unit	Remarks
Active area	304.128 (H) x 228.096(V)	mm	
Number of pixels	1024(H) x 768(V)	pixels	
Pixel pitch	0.297(H) x 0.297(V)	mm	
Pixel arrangement	RGB Vertical stripe		
Display colors	262,144	colors	
Display mode	Normally white		
Dimensional outline	350.0±0.5(H)x266.5±0.5(V)x17.2(D) Typ.	mm	Note 1
Weight	1,500 Max.	g	Note 1
Back-light	Top/Bottom edge side 4-CCFL type		Note 2

Note : 1. Excluding Back-light inverter

2. CCFL (Cold Cathode Fluorescent Lamp)

## 2.0 ABSOLUTE MAXIMUM RATINGS

The followings are maximum values which, if exceed, may cause faulty operation or damage to the unit.

Parameter	Symbol	Min.	Max.	Unit	Remarks
Power Input Voltage	V <sub>DD</sub>	-0.3	6.0	V	Ta = 25 °C
Logic Input Voltage	V <sub>IN</sub>	-0.3	4.6	V	
Operating Temperature (Humidity)	T <sub>OP</sub>	0	+50	°C	≤ 40 °C
	RH		80	%	
Storage Temperature (Humidity)	T <sub>SP</sub>	-20	+60	°C	≤ 40 °C
	RH		90	%	

### 3.0 ELECTRICAL SPECIFICATIONS

 $T_a = 25 \pm 2^\circ\text{C}$ 

Parameter		Min.	Typ.	Max.	Unit	Remarks	
Power Supply	Voltage	$V_{DD}$	4.5	5.0	5.5	V	
	Current	$I_{DD}$	—	330	650	mA	Note 1
Input Voltage	Low	$V_{IL}$	GND	—	0.66	V	Note 2
	High	$V_{IH}$	2.64	—	3.6	V	
Back-Light Lamp	Voltage	$V_{BL}$	—	600	—	Vrms	
	Current	$I_{BL}$	3.0	6.0	7.0	mArms	per CCFL
	Frequency	$F_L$	30	60	—	KHz	Note 3
	Start Voltage	$V_s$	—	—	780	Vrms	25°C, Note 4
			—	—	1160	Vrms	0°C, Note 4
Life Time	Hr	25,000	—	—	hrs		
Power Consumption	$P_{DD}$	—	1.6	—	W		
	$P_{BL}$	—	14.4	—	W	Note 5	
	$P_{TOTAL}$	—	16.0	—	W		

**Notes :**

- Test Pattern of power supply current
  - Typ : Vertical color bar pattern
  - Max : Vertical 2 Skip line pattern
- Input signals are DE,  $I_{CLK}$ , RA[5:0], GA[5:0], BA[5:0], RB[5:0], GB[5:0], BB[5:0]
- The lamp frequency should be selected as different as possible from the horizontal synchronous frequency and its harmonics to avoid interference which may cause line flow on the display.
- The voltage above this value should be applied to the lamps for more than 1 second to startup. Otherwise the lamps may not to be turned on.
- Calculated value for reference ( $V_{BL} \times I_{BL}$ ) x 4 excluding inverter loss.

#### 4.0 OPTICAL SPECIFICATIONS

The measurement shall be executed after 30 minutes warm-up period.

Measuring equipment : TOPCON-BM5.

$T_a = 25 \pm 2^\circ\text{C}$

Parameter		Symbol	Condition	Min.	Typ.	Max.	Unit	Remark	
Viewing Angle range	Horizontal	$\Theta_3$	CR > 5	—	80	—	Deg.	Note 1	
		$\Theta_9$		—	80	—	Deg.		
	Vertical	$\Theta_{12}$		—	45	—	Deg.		
		$\Theta_6$		—	75	—	Deg.		
	Horizontal	$\Theta_3$	CR > 10	—	60	—	Deg.	Note 2	
		$\Theta_9$		—	60	—	Deg.		
		Vertical		$\Theta_{12}$	—	35	—		Deg.
				$\Theta_6$	—	55	—		Deg.
Luminance Contrast ratio		CR		—	200	—		Note 3	
Luminance of white	Average	$Y_{WA}$		—	220	—	cd/m <sup>2</sup>	Note 4	
	Center	$Y_{WC}$		—	230	—	cd/m <sup>2</sup>	Note 5	
White luminance uniformity		$\Delta Y$		—	—	1.18		Note 6	
Reproduction Of color	White	$x_W$	$\Theta = 0^\circ$ IBL=6.0mA	0.283	0.313	0.343		Note 7	
		$y_W$		0.300	0.330	0.360			
	Red	$x_R$		0.602	0.632	0.662			
		$y_R$		0.301	0.331	0.361			
	Green	$x_G$		0.257	0.287	0.317			
		$y_G$		0.578	0.608	0.638			
	Blue	$x_B$		0.115	0.145	0.175			
		$y_B$		0.073	0.103	0.133			
Response Time (Rise + Decay)		Ttotal		—	40	50	ms	Note 8	
Cross Talk		CT		—	—	2.0	%	Note 9	

**PRODUCT GROUP****REV.****ISSUE DATE**

TFT-LCD PRODUCT

A

2000.11.13

## Note :

1. Viewing angle is the angle at which the contrast ratio is greater than 5. The viewing are determined for the horizontal or 3, 9 o'clock direction and the vertical or 6, 12 o'clock direction with respect to the optical axis which is normal to the LCD surface (see FIGURE 1 shown in Appendix).
2. Viewing angle is the angle at which the contrast ratio is greater than 10. The other condition is same note 1.
3. Contrast measurements shall be made at viewing angle of  $\Theta = 0^\circ$  and at the center of the LCD surface. Luminance shall be measured with all pixels in the view field set first to white, then to the dark (black) state . (see FIGURE 1 shown in Appendix) Luminance Contrast Ratio (CR) is defined mathematically .

$$CR = \frac{\text{Luminance when displaying a white raster}}{\text{Luminance when displaying a black raster}}$$

4. Average Luminance of white is defined as arithmetic mean of five measurement points across the LCD surface. Luminance shall be measured with all pixels in the view field set first to white. This measurement shall be taken at the locations shown in FIGURE 2 for a total of the measurements per display.
5. Center Luminance of white is defined as center measurement points across the LCD surface. The other condition is same note 4.
6. The White luminance uniformity on LCD surface is then expressed as :  $\Delta Y = \text{Maximum Luminance of five points} / \text{Minimum Luminance of five points}$  (see FIGURE 2 shown in Appendix).
7. The color chromaticity coordinates specified in Table 4. shall be calculated from the spectral data measured with all pixels first in red, green, blue and white. Measurements shall be made at the center of the panel.
8. The electro-optical response time measurements shall be made as FIGURE 3 shown in Appendix by switching the "data" input signal ON and OFF. The times needed for the luminance to change from 10% to 90% is  $T_d$ , and 90% to 10% is  $T_r$ .
9. Cross-Talk of one area of the LCD surface by another shall be measured by comparing the luminance ( $Y_A$ ) of a 25mm diameter area, with all display pixels set to a gray level, to the luminance ( $Y_B$ ) of that same area when any adjacent area is driven dark. (see FIGURE 4 shown in Appendix).

**SPEC. NUMBER**

S864-1032

**SPEC. TITLE**

HT15X11-200 Product Specification

**PAGE**

8 OF 21



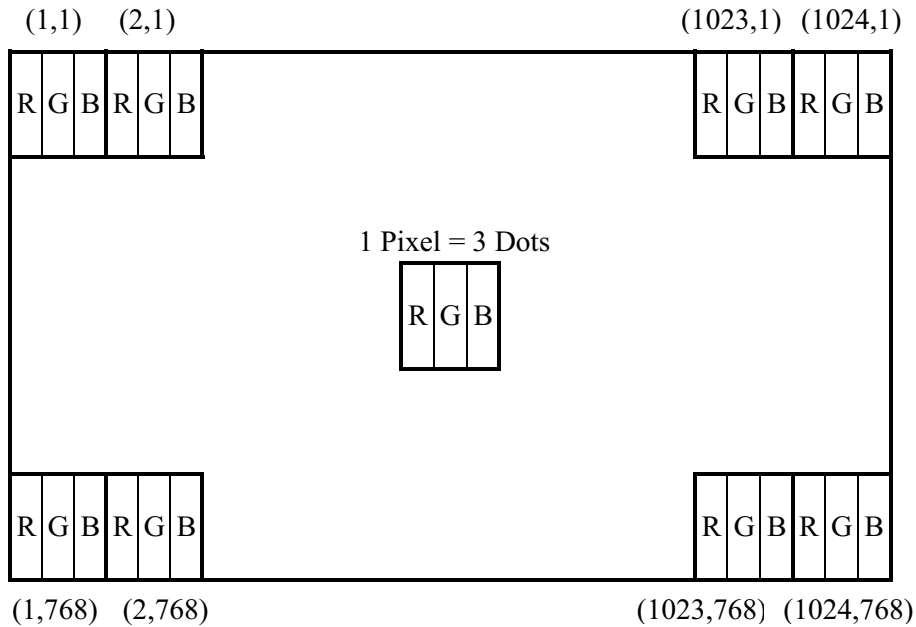
## 5.0 INTERFACE CONNECTION

### 5.1 Electrical Interface Connection

CN11      Module Side Connector      : FX8-80S-SV (HIROSE Electric Co.)  
                  User Side Connector                : FX8-80P-SV (HIROSE Electric Co ) or equivalent

Pin No	Symbol	Function	Pin No	Symbol	Function
1	GND	Ground	41	GND	Ground
2	NC	No Connection	42	NC	No Connection
3	NC	No Connection	43	NC	No Connection
4	RA0	Red Odd data LSB	44	GB0	Green Even data LSB
5	RA1	Red Odd data	45	GB1	Green Even data
6	GND	Ground	46	GND	Ground
7	RA2	Red Odd data	47	GB2	Green Even data
8	RA3	"	48	GB3	"
9	RA4	"	49	GB4	"
10	RA5	Red Odd data MSB	50	GB5	Green Even data MSB
11	GND	Ground	51	GND	Ground
12	NC	No Connection	52	NC	No Connection
13	NC	No Connection	53	NC	No Connection
14	GA0	Green Odd data LSB	54	BB0	Blue Even data LSB
15	GA1	Green Odd data	55	BB1	Blue Even data
16	GND	Ground	56	GND	Ground
17	GA2	Green Odd data	57	BB2	Blue Even data
18	GA3	"	58	BB3	"
19	GA4	"	59	BB4	"
20	GA5	Green Odd data MSB	60	BB5	Blue Even data MSB
21	GND	Ground	61	GND	Ground
22	NC	No Connection	62	GND	"
23	NC	No Connection	63	CLK	Clock
24	BA0	Blue Odd data LSB	64	GND	Ground
25	BA1	Blue Odd data	65	GND	Ground
26	GND	Ground	66	NC	No Connection
27	BA2	Blue Odd data	67	GND	Ground
28	BA3	"	68	GND	Ground
29	BA4	"	69	DE	Data Enable
30	BA5	Blue Odd data MSB	70	NC	No Connection
31	GND	Ground	71	VDD	+5V Power Supply
32	NC	No Connection	72	VDD	"
33	NC	No Connection	73	VDD	"
34	RB0	Red Even data LSB	74	VDD	"
35	RB1	Red Even data	75	VDD	"
36	GND	Ground	76	NC	No Connection
37	RB2	Red Even data	77	NC	"
38	RB3	"	78	NC	"
39	RB4	"	79	NC	"
40	RB5	Red Even data MSB	80	GND	Ground

## 5.2 Data Input Format



Display Position of Input Data

## 5.3 Back-light Interface Connection

CN21, CN31 Module Side Connector : BHR-04VS-1 (JST)  
 User Side Connector : SM04(4.0)B-BHS-1-TB (JST) or equivalent

Terminal No.	INPUT[CN21],[CN31]	Color	Function
1	HOT 1	Pink	High Voltage
2	HOT 2	Pink	High Voltage
3	N.C.	-	No Connection
4	COLD	White	Ground

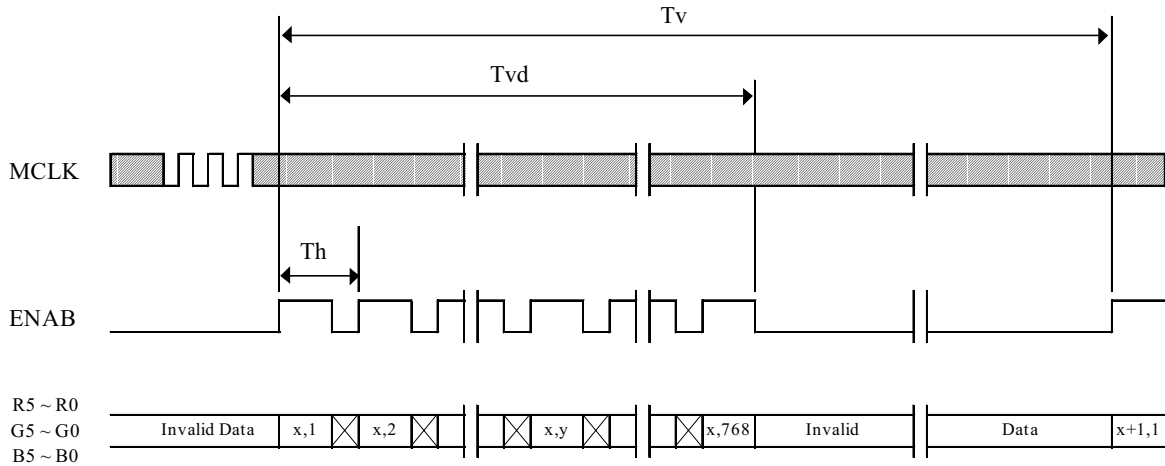
**6.0 SIGNAL TIMING SPECIFICATIONS**

The HT15X11-200 is operated by the Only Data Enable Mode.

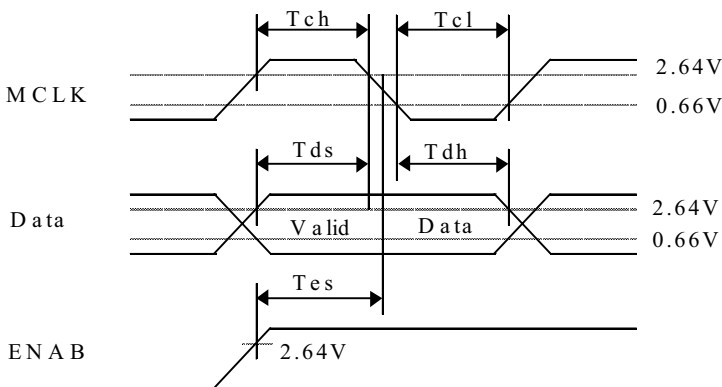
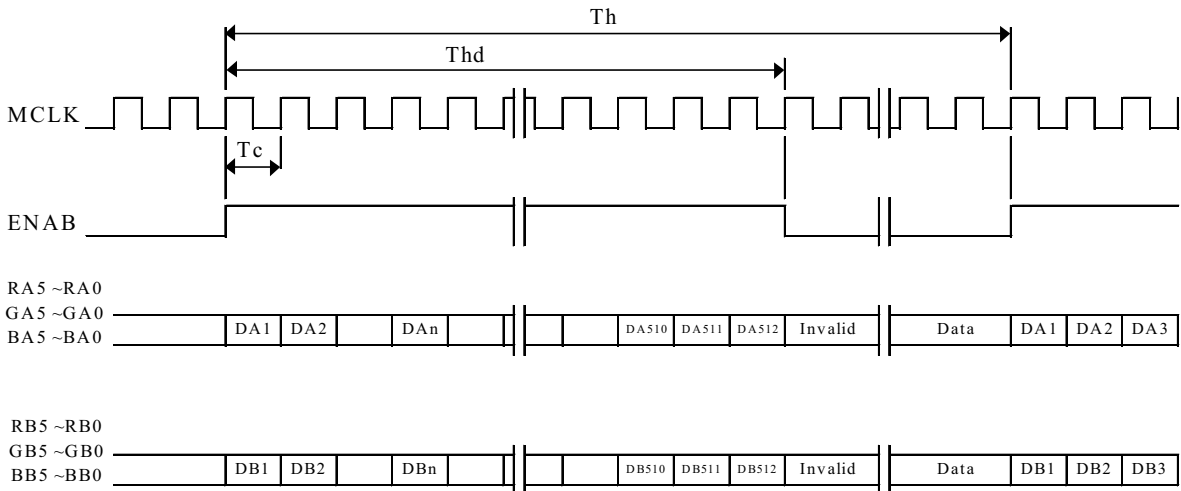
Item		Symbols	Min	Typ	Max	Unit
Clock	Frequency	1/Tc	28	32.5	40	MHz
	High Time	Tch	9	-	-	ns
	Low Time	Tcl	9	-	-	ns
Data	Setup Time	Tds	8	-	-	ns
	Hold Time	Tdh	8	-	-	ns
Data Enable Setup Time		Tes	8	-	-	ns
Frame Period		Tv	778	806	860	lines
Vertical Display Period		Tvd	768	768	768	lines
One Line Scanning Period		Th	592	672	682	clocks
Horizontal Display Period		Thd	512	512	512	clocks

**7.0 SIGNAL TIMING WAVEFORMS**

**7.1 Vertical Timing Waveforms**



**7.2 Horizontal Timing Waveforms**





**PRODUCT GROUP**

TFT-LCD PRODUCT

**REV.**

A

**ISSUE DATE**

2000.11.13

**8.0 INPUT SIGNALS, BASIC DISPLAY COLORS & GRAY SCALE OF COLORS**

Colors & Gray Scale		Data Signal																	
		Red						Green						Blue					
Odd & Even		R5	R4	R3	R2	R1	R0	G5	G4	G3	G2	G1	G0	B5	B4	B3	B2	B1	B0
Basic Colors	Black	0	0	0	0	0	0	0	0	0	0	0	0	0	0	0	0	0	0
	Blue	0	0	0	0	0	0	0	0	0	0	0	0	1	1	1	1	1	1
	Green	0	0	0	0	0	0	1	1	1	1	1	1	0	0	0	0	0	0
	Cyan	0	0	0	0	0	0	1	1	1	1	1	1	1	1	1	1	1	1
	Red	1	1	1	1	1	1	0	0	0	0	0	0	0	0	0	0	0	0
	Magenta	1	1	1	1	1	1	0	0	0	0	0	0	1	1	1	1	1	1
	Yellow	1	1	1	1	1	1	1	1	1	1	1	1	0	0	0	0	0	0
	White	1	1	1	1	1	1	1	1	1	1	1	1	1	1	1	1	1	1
Gray Scale Of Red	Black	0	0	0	0	0	0	0	0	0	0	0	0	0	0	0	0	0	0
	△	0	0	0	0	0	1	0	0	0	0	0	0	0	0	0	0	0	0
	Darker	0	0	0	0	1	0	0	0	0	0	0	0	0	0	0	0	0	0
	△	↓						↓						↓					
	▽	↓						↓						↓					
	Brighter	1	1	1	1	0	1	0	0	0	0	0	0	0	0	0	0	0	0
▽	1	1	1	1	1	0	0	0	0	0	0	0	0	0	0	0	0	0	
Red	1	1	1	1	1	1	0	0	0	0	0	0	0	0	0	0	0	0	
Gray Scale Of Green	Black	0	0	0	0	0	0	0	0	0	0	0	0	0	0	0	0	0	0
	△	0	0	0	0	0	0	0	0	0	0	0	1	0	0	0	0	0	0
	Darker	0	0	0	0	0	0	0	0	0	0	1	0	0	0	0	0	0	0
	△	↓						↓						↓					
	▽	↓						↓						↓					
	Brighter	0	0	0	0	0	0	1	1	1	1	0	1	0	0	0	0	0	0
▽	0	0	0	0	0	0	1	1	1	1	1	0	0	0	0	0	0	0	
Green	0	0	0	0	0	0	1	1	1	1	1	1	0	0	0	0	0	0	
Gray Scale Of Blue	Black	0	0	0	0	0	0	0	0	0	0	0	0	0	0	0	0	0	0
	△	0	0	0	0	0	0	0	0	0	0	0	0	0	0	0	0	0	1
	Darker	0	0	0	0	0	0	0	0	0	0	0	0	0	0	0	0	1	0
	△	↓						↓						↓					
	▽	↓						↓						↓					
	Brighter	0	0	0	0	0	0	0	0	0	0	0	0	1	1	1	1	0	1
▽	0	0	0	0	0	0	0	0	0	0	0	0	1	1	1	1	1	0	
Blue	0	0	0	0	0	0	0	0	0	0	0	0	1	1	1	1	1	1	
Gray Scale Of White & Black	Black	0	0	0	0	0	0	0	0	0	0	0	0	0	0	0	0	0	0
	△	0	0	0	0	0	1	0	0	0	0	0	1	0	0	0	0	0	1
	Darker	0	0	0	0	1	0	0	0	0	0	1	0	0	0	0	0	1	0
	△	↓						↓						↓					
	▽	↓						↓						↓					
	Brighter	1	1	1	1	0	1	1	1	1	1	0	1	1	1	1	1	0	1
▽	1	1	1	1	1	0	1	1	1	1	1	0	1	1	1	1	1	0	
White	1	1	1	1	1	1	1	1	1	1	1	1	1	1	1	1	1	1	

**SPEC. NUMBER**

S864-1032

**SPEC. TITLE**

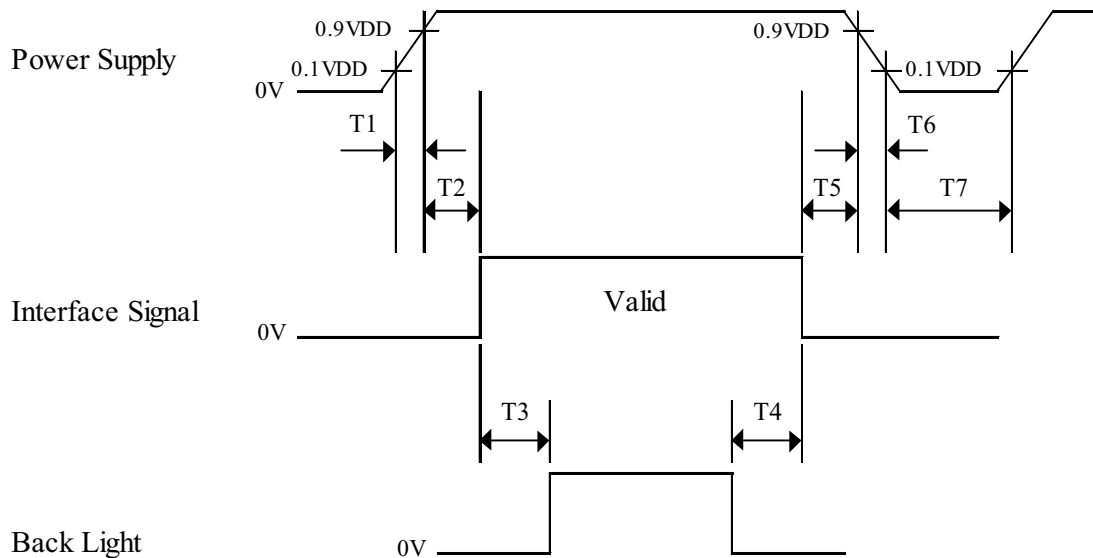
HT15X11-200 Product Specification

**PAGE**

13 OF 21

**9.0 POWER SEQUENCE**

To prevent a latch-up or DC operation of the LCD module, the power on/off sequence shall be as shown in below



- $0 < T1 \leq 5 \text{ ms}$
- $0 < T2 \leq 30 \text{ ms}$
- $110 \text{ ms} \leq T3$
- $0 \leq T4$
- $0 < T5 \leq 30 \text{ ms}$
- $0 < T6 \leq 1 \text{ sec.}$
- $1 \text{ sec} \leq T7$

Notes :

1. When the power supply VDD is 0V, Keep the level of input signals on the low or keep a high impedance.
2. Do not keep the interface signal high impedance when power is on.
3. Back Light must be turn on after power for logic and interface signal are valid.

## 10.0 MECHANICAL CHARACTERISTICS

### 10.1 Dimensional Requirements

FIGURE 6 shown in appendix shows mechanical outlines for the model

Parameter	Specification	Unit
Active area	304.128 (H) x 228.096(V)	mm
Number of pixels	1024(H) x 768(V)	pixels
	(1 pixel = R + G + B dot)	
Pixel pitch	0.297(H) x 0.297(V)	mm
Pixel arrangement	RGB Vertical stripe	
Display colors	262,144	colors
Display mode	Normally white	
Dimensional outline	350.0±0.5(H) x 266.5±0.5(V) x 17.2(D) typ.	mm
Weight	1500 Max.	gram
Back-light	Top/Bottom edge side 4-CCFL type	

### 10.2 Mounting

See FIGURE 5 shown in appendix

### 10.3 anti-Glare and Polarizer Hardness.

The surface of the LCD has an anti-glare coating to minimize reflection and a coating to reduce scratching.

### 10.4 Light Leakage

There shall not be visible light from the back-lighting system around the edges of the screen as seen from a distance 50 cm from the screen with an overhead light level of 350lux. The manufacture shall furnish limit samples of the panel showing the most light leakage acceptable.

**11.0 RELIABILITY TEST**

No	Test Items	Conditions
1	High temperature storage test	Ta = 60 °C, 240 hrs
2	Low temperature storage test	Ta = -20 °C, 240 hrs
3	High temperature & high humidity operation test	Ta = 50 °C, 80 %RH, 240 hrs
4	High temperature operation test	Ta = 50 °C, 240 hrs
5	Low temperature operation test	Ta = 0 °C, 240 hrs
6	Thermal shock	Ta = -20 °C ↔ 60 °C (30 min), 100 cycle
7	Vibration test (non-operating)	Frequency : 10 ~ 300 Hz Gravity/AMP : 1.5G Period : X, Y, Z 30 min
8	Shock test (non-operating)	Gravity : 150G Pulse width : 6ms, half sine wave ± X, ± Y, ± Z Once for each direction
9	Electrostatic discharge test	Air : 150 pF, 330Ω, 15KV Contact : 150 pF, 330Ω, 8KV



## 12.0 HANDLING & CAUTIONS

### 12.1 Cautions when taking out the module

- Pick the pouch only, when taking out module from a shipping package.

### 12.2 Cautions for handling the module

- As the electrostatic discharges may break the LCD module, handle the LCD module with care. Peel a protection sheet off from the LCD panel surface as slowly as possible.
- As the LCD panel and back-light element are made from fragile glass material, impulse and pressure to the LCD module should be avoided.
- As the surface of the polarizer is very soft and easily scratched, use a soft dry cloth without chemicals for cleaning.
- Do not pull the interface connector in or out while the LCD module is operating.
- Put the module display side down on a flat horizontal plane.
- Handle connectors and cables with care.

### 12.3 Cautions for the operation

- When the module is operating, do not lose ICLK, DE signals. If any one of these signals is lost, the LCD panel would be damaged.
- Obey the supply voltage sequence. If wrong sequence is applied, the module would be damaged.

### 12.4 Cautions for the atmosphere

- Dew drop atmosphere should be avoided.
- Do not store and/or operate the LCD module in a high temperature and/or humidity atmosphere. Storage in an electro-conductive polymer packing pouch and under relatively low temperature atmosphere is recommended.

### 12.5 Cautions for the module characteristics

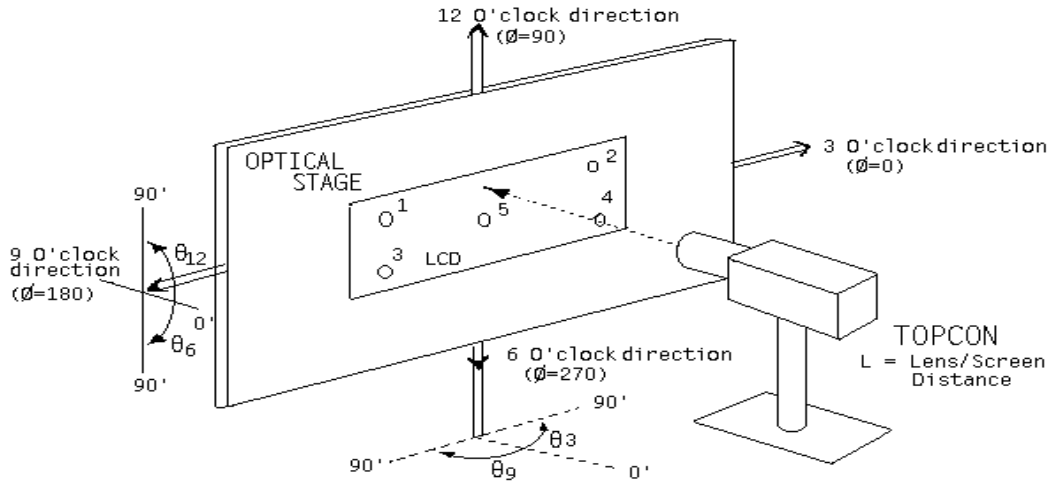
- Do not apply fixed pattern data signal to the LCD module at product aging.
- Applying fixed pattern for a long time may cause image sticking.

### 12.6 Other cautions

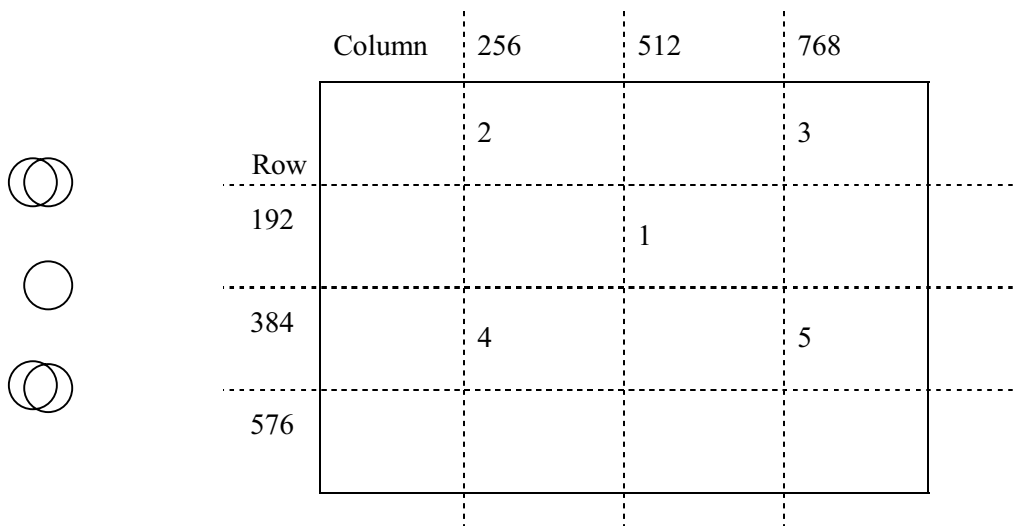
- Do not disassemble and/or re-assemble LCD module.
- Do not re-adjust variable resistor or switch etc.
- When returning the module for repair or etc, please pack the module not to be broken. We recommend to use the original shipping packages.

**13.0 APPENDIX**

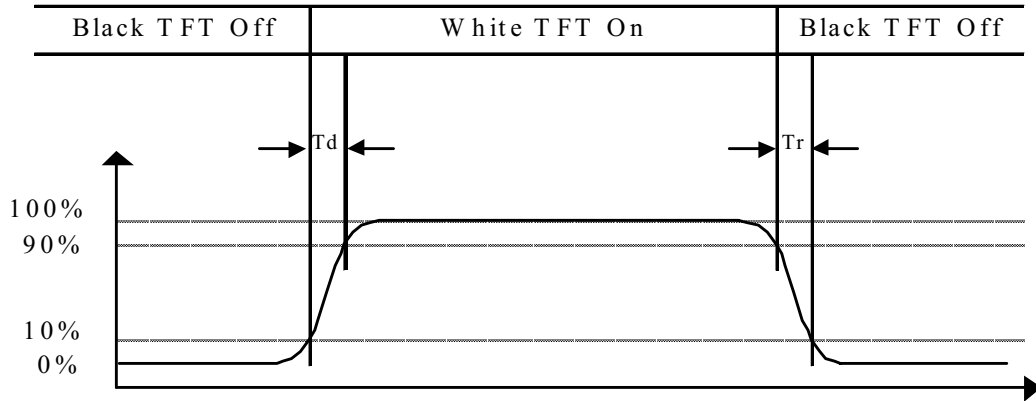
**Figure 1. Measurement Set Up**



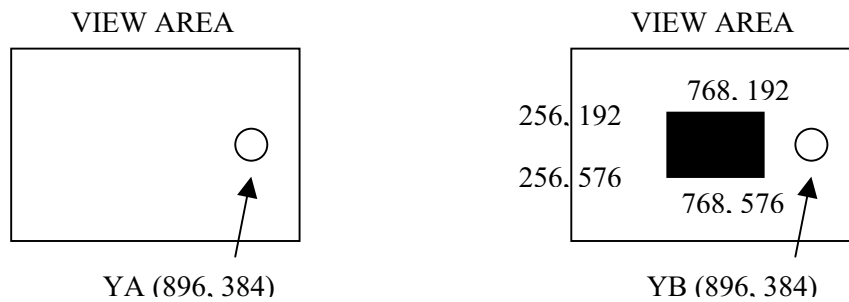
**Figure 2. Average Luminance Measurement Locations & Uniformity Measurement Locations**



**Figure 3. Response Time Testing**



**Figure 4. Cross Modulation Test Description**



$$\text{Cross-Talk} = \left| \frac{Y_B - Y_A}{Y_A} \right| \times 100$$

Where:

$Y_A$  = Initial luminance of measured area ( $\text{cd}/\text{m}^2$ )

$Y_B$  = Subsequent luminance of measured area ( $\text{cd}/\text{m}^2$ )

The location measured will be exactly the same in both patterns.

Figure 5. TFT-LCD Module Outline Dimensions ( Front view )

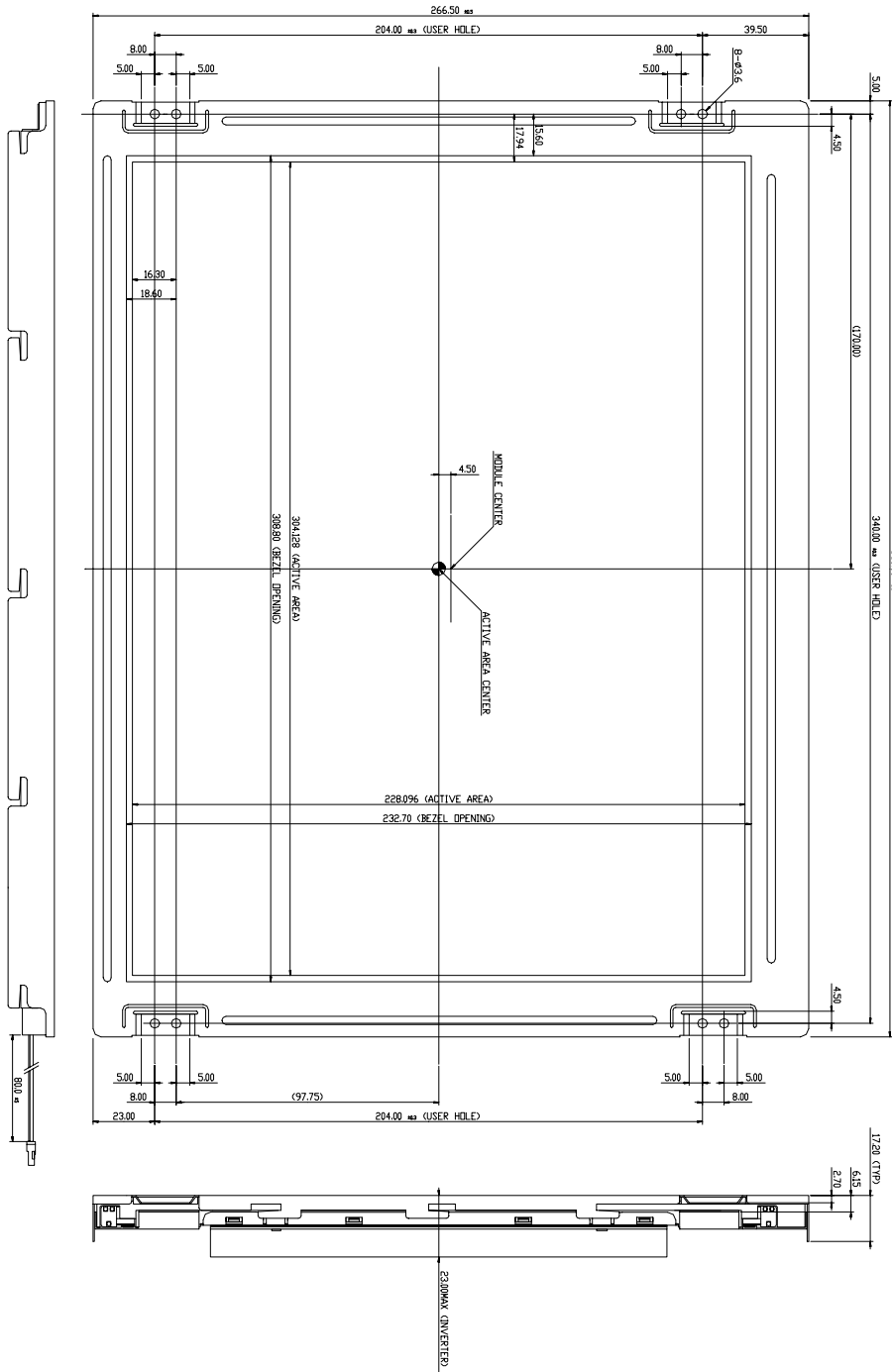
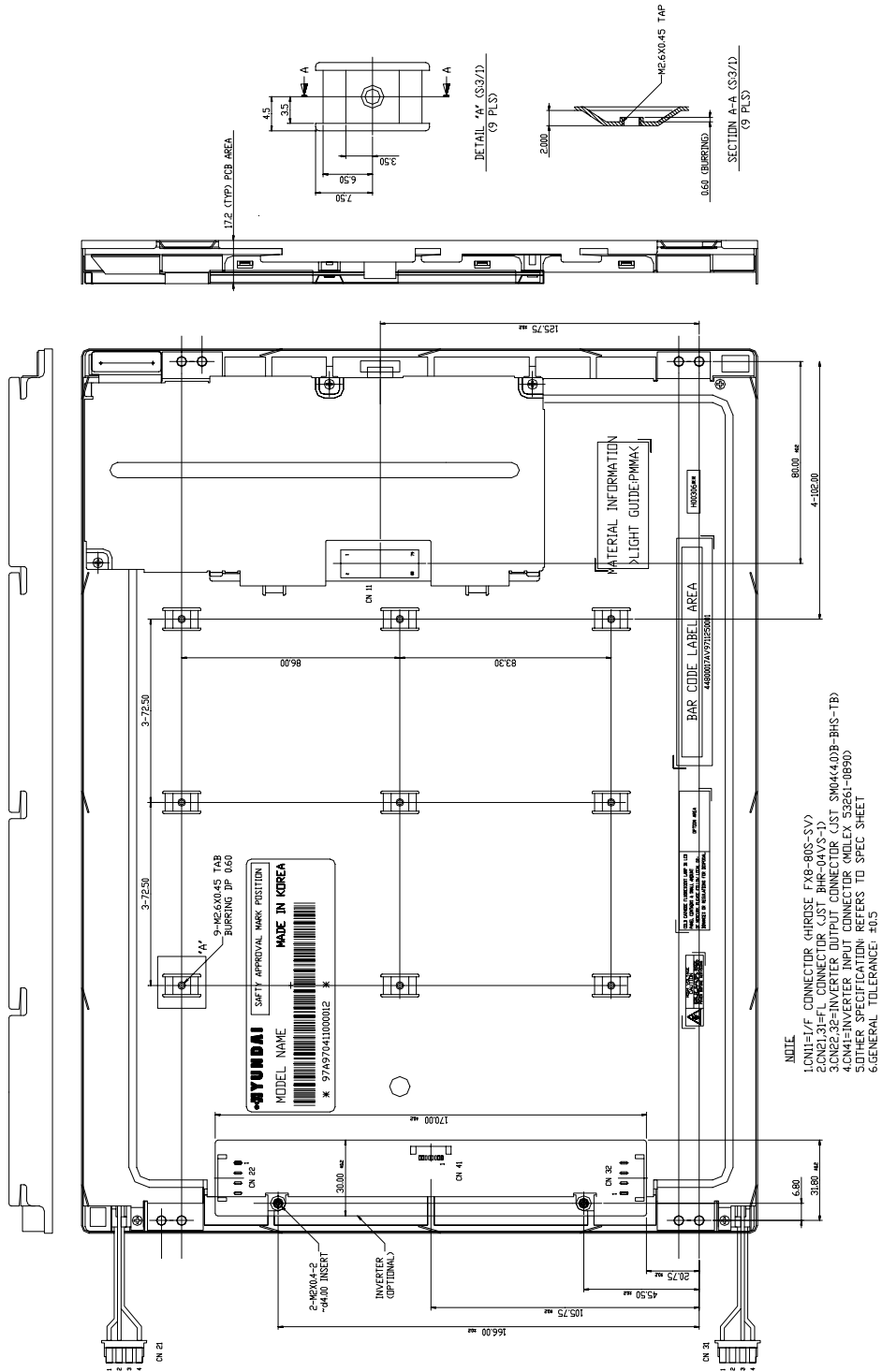


Figure 6. TFT-LCD Module Outline Dimensions ( Rear view )



SPEC. NUMBER

S864-1032

SPEC. TITLE

HT15X11-200 Product Specification

PAGE

21 OF 21